

4

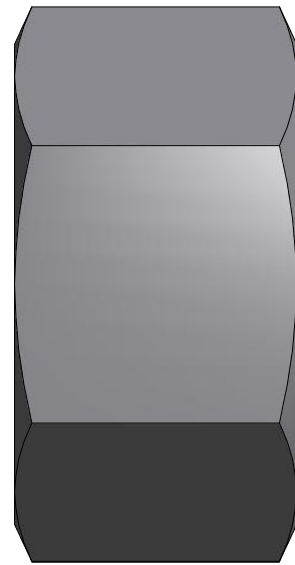
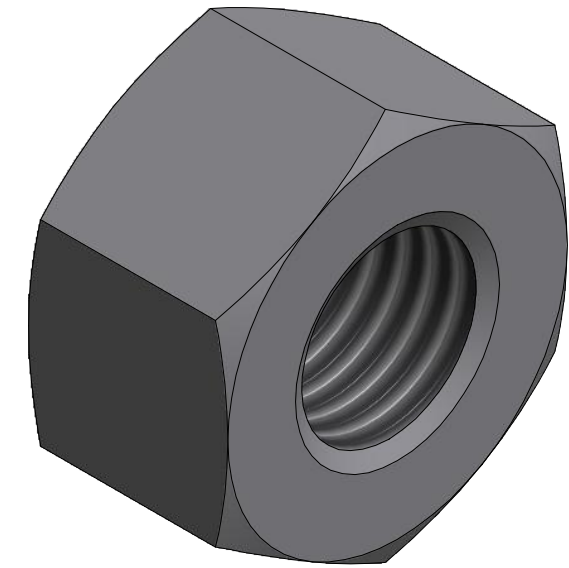
3

2

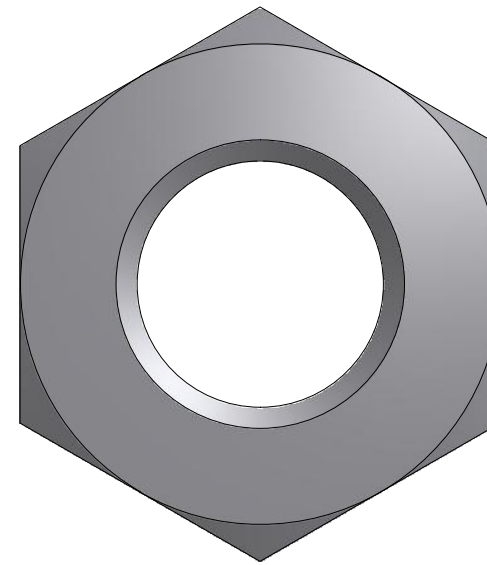
1

B

B



PLAN VIEW1



A

A

NOTE:  
 PROPRIETARY AND CONFIDENTIAL

THE INFORMATION CONTAINED IN THIS DRAWING IS THE SOLE PROPERTY OF PIEDMONT PACIFIC. ANY REPRODUCTION IN PART OR AS A WHOLE WITHOUT THE WRITTEN PERMISSION OF PIEDMONT PACIFIC IS PROHIBITED.

DRAWING REVISION						
REV	DATE	REVISION DESCRIPTION	DRAWN	CHKD	ENG	APPVD



UNLESS NOTED OTHERWISE

INTERPRETATION:  
 ANS I Y14.5

TOLERANCES

ANGULAR BEND ± MACH ± 1.0%

SURFACE FINISH ON PART 125

SURFACE FINISH ON O-RING 32

DO NOT SCALE PRINTS

PIEDMONT PACIFIC  
 GROOVE END FLEXIBLE PIPE COUPLING

TITLE:				
COUPLING STYLE AND SIZE				
SCALE:	UNIT:	DRAWING NO.	SHEET:	REVISION:
A:B	MM	0.0	0.0	0.0

4

3

2

1

A

A